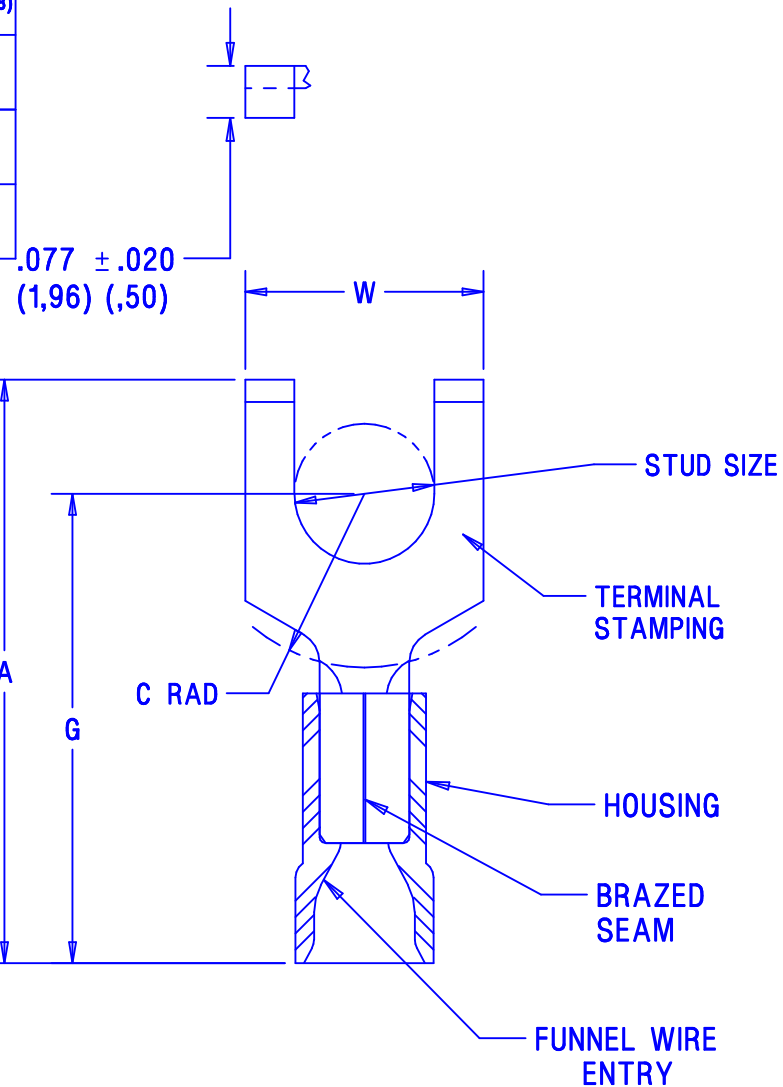


Part number		STUD SIZE	Maximum insulation diameter	DIMENSIONS in.			
Prefix	PK			A $\pm .03$ (.8)	W $\pm .010$ (.25)	C MIN	G $\pm .03$ (.8)
PV18-6FF	-C -M -MY	#6	.150 (3,81)	.87 (22,1)	.28 (7,1)	.19 (4,8)	.71 (18,0)
PV18-8FF	-C -M -MY	#8		.94 (23,9)	.31 (7,9)	.23 (5,8)	.75 (19,1)
PV18-10FF	-C -M -MY	#10		.93 (23,6)	.35 (8,9)	.23 (5,8)	.75 (19,1)

Notes:

Used for:

- A. 600 max voltage rating
 - B. #22-16 AWG Solid or stranded copper wire range, 221°F (105°C) max temp rating with CT-1551, CT-1550 installation tools.
 - C. #22-18 AWG Solid or stranded copper wire range, 167°F (75°C) max temp rating with CT-100 installation tool
2. Wire strip length: $5/16^{+1/32}$ (7.9 $^{+0.8}_{-0}$)
 3. Package Quantity (Suffix to basic part no.):
 - A. Standard -C=100
 - B. Bulk -M=1000, -MY=1000
 4. Material:
 - A. Stamping: .032 (.81) thick tin plated copper
 - B. Housing: Red vinyl
 5. Dimensions in brackets are in millimeters



LISTED
587H
E52164



CERTIFIED
LR31212

05	5/05	JHNU		ADDED PACKAGING CODE "MY" TO DRAWING.			
04	1/01	RM	SKB	FILESPEC WAS N41574AA_PCD_03	08933	CCH	JAC
03	11/00	EJS		MAX. WIRE INSUL. DIA. WAS .140, REMOVED TOOLS CT-500,CT-550	08839		
02	5/99	JKD	SKB	ADDED CT-1551, & CT-1550 TOOLS	07632	TRO	JCJ
01	11/94	MS		ADDED UL/CSA APPROVAL SYMBOLS	02638	JJM	LA
REV	DATE	BY	CHK	DESCRIPTION	ECN NO.	PM	CUST

A41574_05



CORP.

TINLEY PARK, ILLINOIS

VINYL INSULATED, #22-18 BARREL
FLANGED FORKS

DRAWN BY	MS	CHK'D		SCALE	NONE	DRAWING NO.	A41574
----------	----	-------	--	-------	------	-------------	--------